



**1876 2 REEL ENCLOSURE
1877 3 REEL ENCLOSURE**

Parts and Technical Service guide
Guía de servicio técnico y recambio
Guide d'instructions et pièces de rechange

Ref.: **HOSE REEL
BANK ENCLOSURES**

Description/ Descripción/ Description

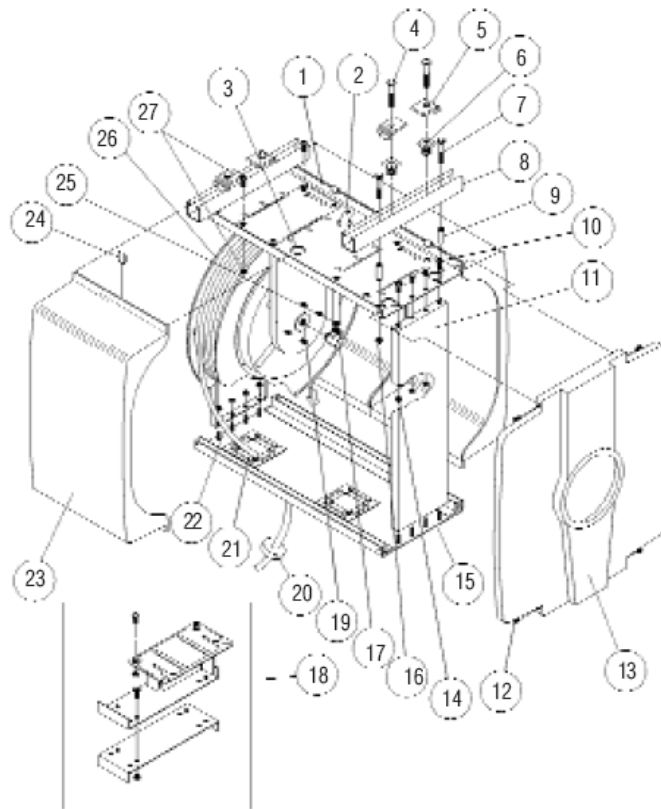
Two and Three Reel channel mounted bank enclosures for Samson 1400 and 1650 series open reels. These units are constructed with alloy steel support and structural elements and with lightweight plastic access panels for ease of service.

Two and three reel bank enclosures can be assembled in any combination to create longer banks.



Installation - Operation/ Instalación – Modo de empleo/ Installation – Mode d'emploi

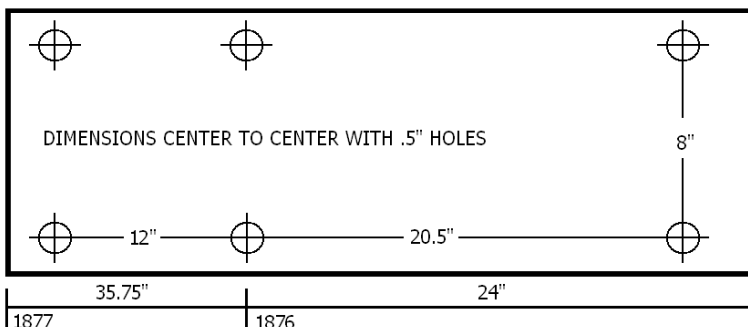
1. Assemble beam clamp assembly by inserting spring nuts (6) into channel support (8). Position beam clamps (5) and secure into place with 1/2" bolts (4). Repeat this step for each beam clamp assembly before proceeding to next step.
2. Position beam clamp assembly to upper mounting channel (1). Secure into place with 1/2" bolts (7), spacers (9), and locknuts (16). Repeat step for each beam clamp assembly before proceeding to next step.
3. Position upper mounting channel (1) to "I" beam. Push beam clamps (5) inward until they fully engage "I" beam flange. Tighten 1/2" bolts (4) to secure.
4. Position vertical channel (11) to upper mounting channel (1) and secure into place with four 5/16" bolts (10) and lock nuts (10). Repeat step for opposite end of bank.
5. Position lower channel (15) to vertical channels (11) and secure into place with 5/16" locknuts (14).
6. Thread connecting hose fitting (25) into swivel (17) using appropriate thread sealing compound. Tighten securely. Repeat step for each reel before proceeding to next step.
7. Remove the outlet arms from the reel.
8. Position reel (26) to upper mounting channel (1). Secure into place with 3/8" bolts and locknuts (27). Route 2' connecting hose (2) through upper mounting channel (1) via cut-out (3). Preset the tension on the reel by rotating it two or three times in extension, then route dispense hose through roller outlet and install the hose stop (20). Repeat step for each reel before proceeding to next step.
9. Flush piping system of contaminants. Connect supply side plumbing, and then pressurize the system. Check system for leaks. Shut off ball valves and relieve pressure. Repeat step for each reel in bank before proceeding to next step.
10. Install the control handle with appropriate thread sealer.
11. Position wrapper (23) to assembly and secure into place with clip (24). Repeat step for each wrapper before proceeding to next step.
12. Position end panel (13) to assembly and secure into place using four 8-32 self-tapping screws (12). Repeat step for opposite end of bank.



Service Parts

Reference No.	Part No.
4,5,6,7,8,9	Unistrut or equivalent. Other mounting provisions are possible depending on the configuration of the shop.
1,2,3,10,11,14,15,16,21,22	1876 two reel channel assembly
	1877 three reel channel assembly
23,24	1878 Reel Wrapper (includes two panels and clips)
12,13	1879 End panel kit (includes two end panels and screws)

Technical data/ Datos técnicos/ Caractéristiques techniques



Part N°	Weight
1876	46 LBS
1877	55 LBS
1878	9 LBS
1879	6 LBS

Overall Dimensions:
22"W X 24"H X 12"L (per reel)

M00138 **2**