



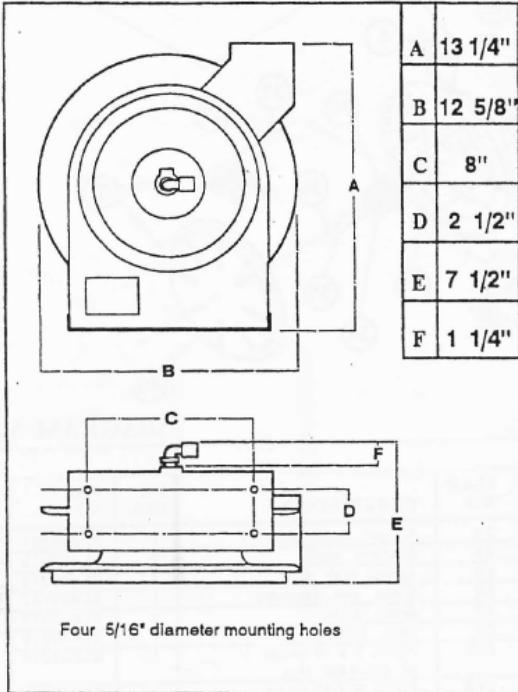
40' 15 AMP CORD REEL

Parts and Technical Service guide
 Guía de servicio técnico y recambio
 Guide d'instructions et pièces de rechange

Ref.: 4040

Description/ Descripción/ Description

DIMENSIONAL DATA



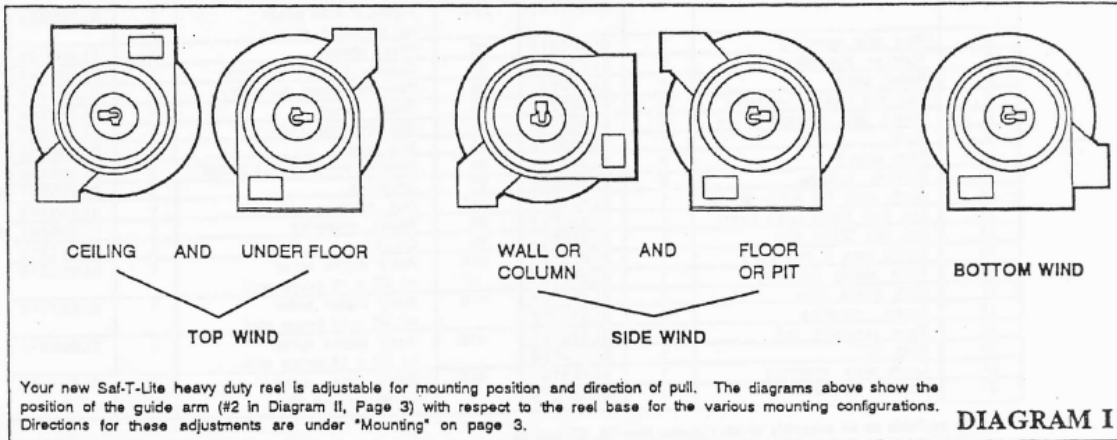
PERSONNEL SAFETY

Personal injury and/or equipment damage may result if proper safety precautions are not observed.

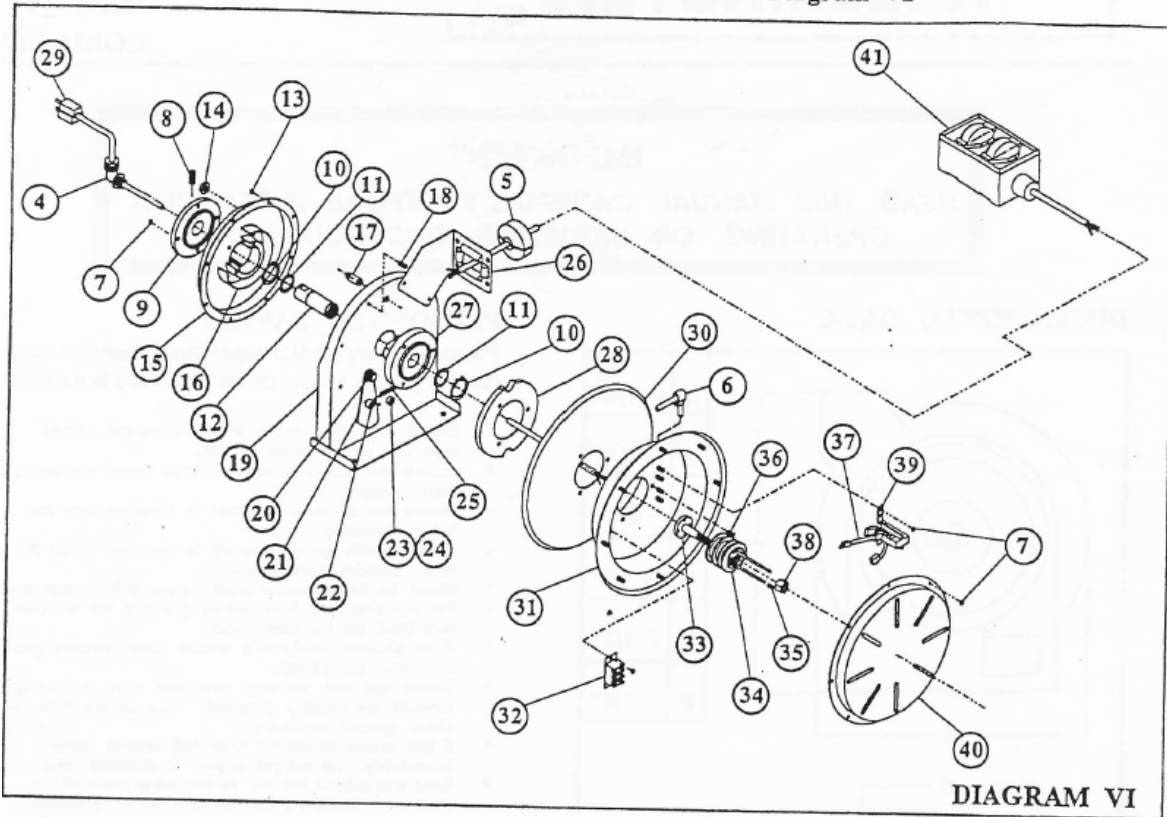
- Ensure that power supply voltage does not exceed maximum voltage rating of reel.
- Ensure that reel is properly installed before connecting to power supply.
- Ensure that all electrical power is removed from reel before servicing.
- A high-tension spring assembly is contained within the reel. Exercise extreme caution.
- Check for frayed and/or broken wires before each use.
- Pull electrical cord from reel by grasping the electrical cord itself, not the work device.
- If an electrical malfunction should occur, remove power from reel immediately.
- Ensure that reel, electrical cord, and equipment being serviced are properly grounded. Use an ohmmeter to check ground continuity.
- If reel ceases to unwind or rewind, remove power immediately. Do not pull or jerk on electrical cord!
- Treat and respect the reel as any other piece of machinery, observing all common safety practices.

ELECTRICAL INFORMATION

	VOLTAGE A/C	AMPS	FREQUENCY
Incandescent lamp (75 watt max.)	115	15	60HZ Single phase
Flourescent lamp	115	.3	
Single outlet	115	15	
Duplex outlet	115	15	



Description/ Descripción/ Description



ITEM NO.	DESCRIPTION	NO. REQ.	PART NO.	ITEM NO.	DESCRIPTION	NO. REQ.	PART NO.
		1	SL600223	23	Bumper, latch plate	1	SL400021
		1	SL600212	24	Bushing, latch	1	SL400012
		1	SL600207	25	Spring, latch plate	1	SL400018
		1	SL600211	26	Guide arm assembly	1	SL400107
		1	SL600208	27	Arbor, spring	1	SL400017
		1	SL600209	28	Cam, latch	1	SL400019
		1	SL600215	29A	Pigtail, 6' x 16 gauge w/ grounded plug	1	SL600214
		1	SL600193	29B	Pigtail, 6' x 16 gauge w/ fluor. ballast, w/ gnd. plug	1	SL600213
		1	SL260501	29C	Pigtail, 6' x 14 gauge w/ grounded plug	1	SL600220
4	Wire grip assembly	1	SL600215	30	Disc, sheave	1	SL400006
5	Bumper assembly	1	SL600193	31	Sheave & stud assembly	1	SL600194
6	Relief, strain	1	SL260501	32	Terminal block assembly	1	SL600205
7	Nut, hex lock-dbl. serrated	21	SL300011	33	Shaft, flange	1	SL260516
8	Screw, set 3/8"-16x1/2" pin	1	SL300006	34	Slip ring assembly	1	SL600201 *
9	Hub	1	SL400016	35	Nut, wire	3	SL260500
10	Ring, snap 1	2	SL300031	36	Screw, machine 1/4-20-5/8	3	SL300036
11	Washer, spacing	2	SL300034	37	Brushes	3	SL600201 *
12	Shaft, main 3/8 NPTx 3/4-16	1	SL400015	38	Nut, coupling	1	SL260505
13	Nut, lock 10-32 nylon insert	1	SL300017	39	Brush assembly	1	SL600201 *
14	Nut, jam 3/8-24 zinc	1	SL300013	40	Cover	1	SL260510
15	Spring case & stud ass'y	1	SL600103	41A	Ass'y duplex outlet w/ 35' x 16 gauge cord	1	SL600219
16	Drive spring assembly	1	SL400030	41B	Ass'y duplex outlet w/ 50' x 16 gauge cord	1	SL600216
17	Stud, spring case	1	SL260064	41C	Ass'y duplex outlet w/ 35' x 14 gauge cord	1	SL600217
18	Screw, machine	2	SL300002	41D	Ass'y duplex outlet w/ 45' ground plug	1	SL600218
19	Base assembly, red	1	SL400101				
20	Ring, "O"	1	SL400020				
21	Latch plate assembly	1	SL400109				
22	Screw, machine	1	SL300035				

* Only available as an assembly which includes item 34, 37, and 39