



ELECTRIC LIGHT CORD REEL

Parts and Technical Service guide
Guía de servicio técnico y recambio
Guide d'instructions et pièces de rechange

Ref.: **3174**

Description/ Descripción/ Description

E

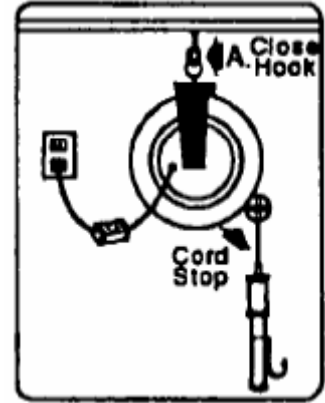
Electric Light Cord Reel for use in heavy duty truck and automotive shops. Unit comes equipped with an UL Listed OSHA approved power cord, fluorescent bulb, and automatic overhead switch.

S

Electric Light Cord Reel para su uso en trabajo pesado de camiones y tiendas de automoción. Unidad viene equipada con una UL Listed OSHA aprobado cable de alimentación, la bombilla fluorescente, y los gastos generales interruptor automático.

F

Electric Light Dévidoir pour utilisation dans des camions lourds et automobiles magasins. Unité est équipé d'un UL Listed OSHA approuvé cordon d'alimentation, ampoule fluorescente, et de commutation automatique.



Installation - Operation/ Instalación - Modo de empleo/ Installation - Mode d'emploi

E

Secure the hook or bracket to a suitable mounting surface, then hang the reel from the mount. Plug the polarized plug into a polarized GFCI outlet. The reel is ready for use and will illuminate automatically when extended and turn off when completely retracted.

S

Asegure el gancho o soporte para un adecuado montaje de superficie, luego colgar el rollo de la montura. Conecte el enchufe polarizado en una toma de corriente polarizada GFCI. La bobina está lista para su uso y se encenderá automáticamente cuando se amplió y se apagará cuando se retractó completamente.

F

Fixez le crochet ou à un support approprié surface de montage, puis raccrochez le moulinet de la montagne. Branchez la fiche polarisée en une prise polarisée GFCI. La bobine est prêt à l'emploi et s'allume automatiquement lorsqu'elle est étendue et s'éteint lorsque complètement rentré.

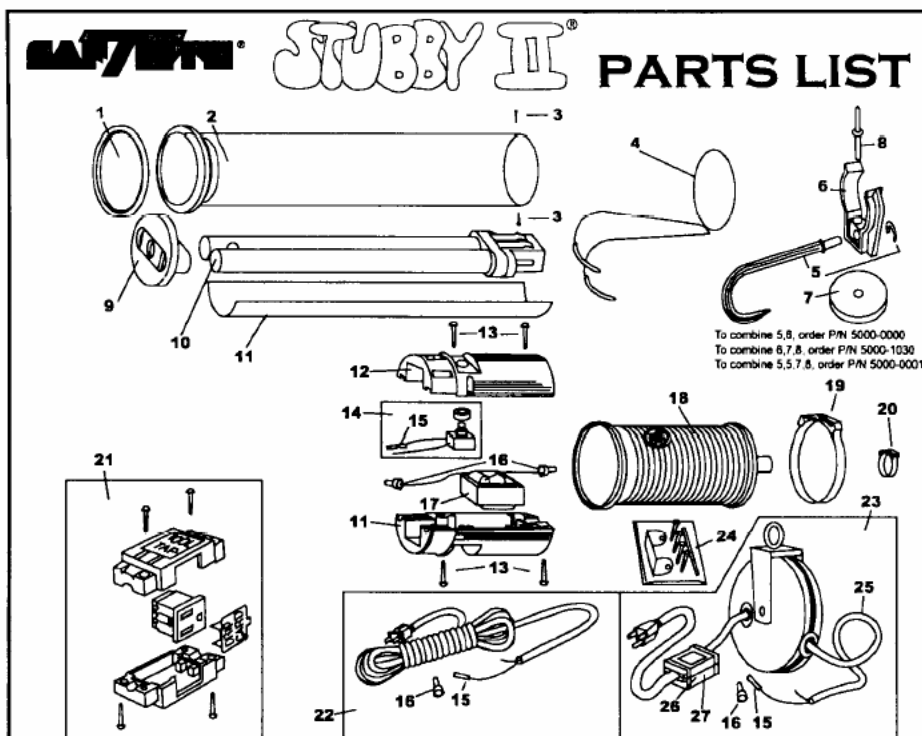
Technical data/ Datos técnicos

This unit is equipped with forty feet of 18/2 cord and a PLS-13 fluorescent lamp.

Troubleshooting/ Anomalías y sus soluciones

If the lamp does not light when the cord is extended check the condition of the finger switch at the cord outlet on the reel body. If the switch is working replace the bulb. If the reel still does not light check the main power supply at the outlet.

Exploded Drawing



NOTE: Complete Replacement Headkits are Available. Please Contact Us For More Information.

Item	Part No.	Description	Item	Part No.	Description
1	5000-0411	Bumper	18	5000-0418	End cap, sm. yellow (18 ga. SVT)
2	5000-0158	Welded tube assembly (items 1,2,9)		5000-0419	End cap, med. yellow (18 ga. SJTOW)
	5000-0955	X-Treme Shield tube assy (Items 1,2,9)		5000-0478	End cap, lrg. yellow (16 ga. SJTO)
	5000-0412	Welded tube assembly (items 2,9)	19	5000-0479	Watertight clamp, lg. (for sealing @ tube)
	5000-0759	X-Treme Shield tube assy (Items 2,9)	20	5000-0480	Watertight clamp, sm.(for sealing @ cord)
	5000-0031	Welded tube assembly (items 1,2,9,11)	21	5000-0016	Tool Tap assembly, yellow, 18 ga. cord
	5000-0885	X-Treme Shield tube asy (Items 1,2,9,11)		5000-0017	Tool Tap assembly, yellow, 16 ga. cord
3	5000-0402	Screw, finish	22	5000-6082	Cordset assembly,25',18/2 SJTOW, ylw
4	5000-0460	Hook, twin spring steel, with tips		5000-6084	Cordset assembly,25',16/3 SJTOW, ylw
5	5000-0471	Hook, with clip		5000-6088	Cordset assembly,25',16/3 SJTOW, blk
6	5000-0040	"M" grip, less magnet		5000-6085	Cordset assembly,50',18/2 SJTOW, ylw
7	5000-1065	Magnet, 58#		5000-6087	Cordset assembly,50',16/3 SJTO, blk
8	5000-0470	Pop Rivet	23	5000-6089	Reel assembly, 20',18/2 SVT, blk
9	5000-0413	Lamp Cushion (included with item 2)		5000-6090	Reel assembly, 40',18/2 SJTOW, ylw
10	5000-2003	Lamp, PL-13W/41	24	5000-0653	Mounting hardware, 20' reel
11	5000-0476	Reflector, Stubby II		5000-0654	Mounting hardware, 40' reel
12	5000-0415	Lamp socket,sm.,18/2 SVT cord	25	5000-6096	Reel cordset, 20',18/2 SVT, blk
	5000-0416	Lamp socket,med.,(18/2 & 18/3 SJTOW cord)		5000-6093	Reel cordset, 35',18/2 SJO, blk
	5000-0425	Lamp socket,lrg., 16/3 SJTO cord		5000-6094	Reel cordset, 35',18/3 SJO, blk
13	-----	Screw (included with item 12)		5000-6091	Reel cordset, 40',18/2 SJTOW, ylw
14	5000-0477	Switch assembly (includes item 15)		5000-6092	Reel cordset, 40',18/3 SJTOW, ylw
15	5000-0050	Pin terminal, female	26	5166-3544	Ballast box, small for 18/3 SVT
16	5000-0400	Connector, closed-end, insulated		5166-3550	Ballast box, large for 16/3 SJTOW
17	5166-3545	Ballast, 13 watt, for units w/switch (ballast in handle on both models)	27	5166-3516	Ballast (for models w/ballast at the reel)
	5166-3546	Ballast, 13 watt, for units less switch			End cap, sm. yellow (18ga. SVT)
18	2				