

UP TO 100' MAXIMUM HOSE CAPACITY

Full metal, Heavy-Duty, double pedestal hose reels, with hose capacity up to 50' x 1", 60' and 75' x 3/4" hose or 100' x 1/2" hose.

FLUIDS HANDLED

- Air.
- Water.
- Antifreeze solutions.
- Synthetic and mineral oils.
- Waste Oil Evacuation.
- Diesel.

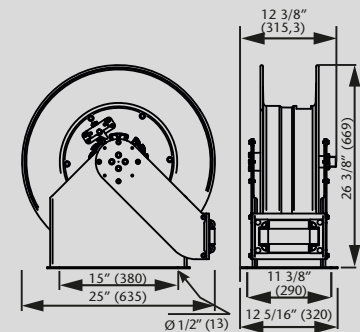
MARKETS / APPLICATIONS

- Fleets.
- Lube trucks.
- Mining and construction.
- Railroad and mass transit.
- General manufacturing.

MOUNTING

- Floor.
- Tank.
- Ceiling.

Dimensions Inches (mm)



- Very tough construction large capacity reels, able to stand regular use and abuse in Intensive Duty applications.
- Fatigue resistant steel spring for years of durable performance and even load when pulling and recoiling the hose.
- Fully ported shaft and swivel.
- Spool mounted on two permanently lubricated and sealed ball bearings to reduce torque load on spring for smooth retraction and longer life.
- Large latching area for easier operation.
- Hose guide arm can be placed in different positions to accommodate any method of mounting.
- Narrow footprint allows mounting more reels on the same surface.

HOSE REEL PART No.	HOSE LENGTH	HOSE I.D.	OUTLET THREAD	MAX. WORKING PRESSURE	NET WEIGHT	REEL ONLY WITH SWIVEL PART No.
LOW PRESSURE - AIR, WATER BASED FLUIDS						
508 125	50'	1"	1" NPTM	300 psi	110.2 lb	508 002
508 152	100'	1/2"	1/2" NPTM	300 psi	121.2 lb	508 004
LOW PRESSURE DIESEL						
508 425	50'	1"	1" NPTM	300 psi	115.7 lb	508 002
MEDIUM PRESSURE LUBRICANTS AND WASTE OIL EVACUATION						
508 225	50'	1"	1" NPTM	1,250 psi	123.4 lb	508 002
508 234	65'	3/4"	3/4" NPTM	1,250 psi	121.2 lb	508 002
508 244	75'	3/4"	3/4" NPTM	1,250 psi	125.6 lb	508 004
508 252	100'	1/2"	1/2" NPTM	2,000 psi	121.5 lb	508 004

Reel includes inlet swivel, reel with hose includes hose stop.
 Inlet connecting hose: not included.
 See hose section for all hose models.

MANUAL FOR ALL 508 SERIES HOSE REELS: 850 837