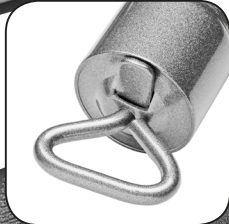
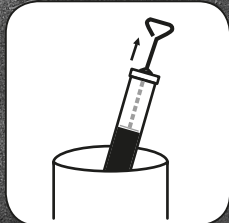


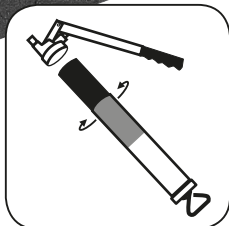
LEVER ACTION GREASE GUNS



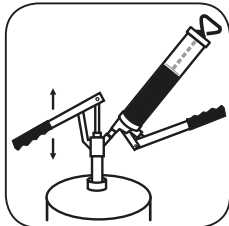
Locking with ratchet



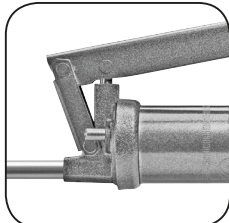
Suction filling



Cartridge loading



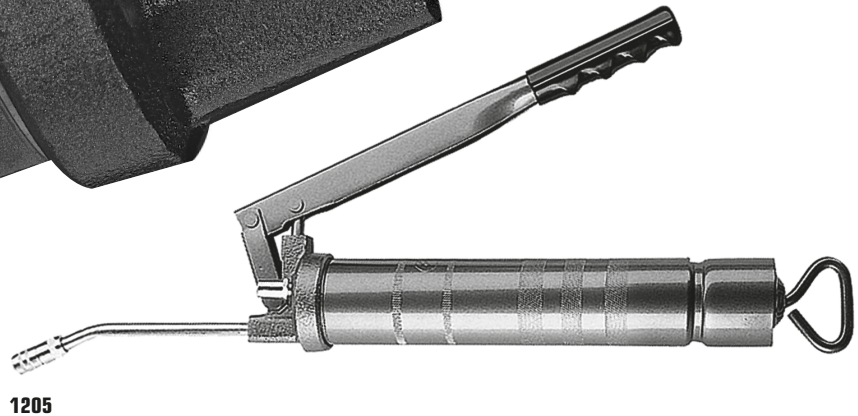
Loading with filler pump



Rugged cast-iron gun head for durability

All SAMSON lever action grease guns have the following features and benefits:

- Very tough, Heavy Duty, cast iron head for maximum durability, uniform pressure and flow.
- Precision machined piston ensures leak free high pressure operation without requiring the use of seals.
- Heavy duty knurled barrel with large pitch threads for easy barrel removal and installation.
- Locking follower rod, heavy duty beveled follower and spring.
- Supplied ready to fill using various methods (cartridge, loader pump and suction).



1205

14 OZ CARTRIDGE OR 16 OZ BULK GREASE GUNS

Universal grease guns to be used with 14 oz (400 g) grease cartridges or with bulk grease. Bulk grease loading by suction or using a filler pump. Maximum working pressure: 7,500 psi (500 bar).

Part No. 1200

Standard duty grease gun complete with rigid pipe outlet and 3 jaw coupler; includes port for optional filler fitting.

Part No. 1205

Heavy-Duty gun complete with rigid pipe outlet and 3 jaw coupler; also includes filler fitting and vinyl handle grip.

Part No. 1206

Same as Part No. 1205 except with flex hose outlet and 3 jaw coupler.

Part No. 1210

Professional Series gun with variable stroke handle for use in heavy-duty constant use applications; also includes filler fitting, air bleeder valve, rigid pipe outlet with 3 jaw coupler, vinyl handle grip and removable valve checks.

Part No. 1212

Same as Part No. 1210 except with 360° adjustable rigid outlet pipe which locks in any position.